



ICS

The clever system for optimum security

ICS | unique technology & professional use

Inn



ICS is the smart system among the mechanical locking systems. With its unique, clever technology, ICS is perfectly suited for professional use. The elegant look of the reversible key is particularly popular among design-orientated customers. And of course, ICS also has a feature unique to EVVA: the concealed, inner recesses make unauthorised duplication of keys practically impossible.

ICS benefits at a glance

- › locking systems with a complex structure
- › high key copying protection
- › in modular version (SYMO)
- › patent protection until 2028

er Code System

» *The reversible key system for high security requirements* «

ICS | high security

ICS is ideal for locking systems with a complex structure and a large number of different user groups. This includes office buildings, hotels, associations, student apartments and nursing homes. The system offers extensive expansion capabilities without reducing security.

Projects implemented with ICS

In cooperation with qualified EVVA partners, EVVA has been fitting security technology in a wide variety of buildings throughout Europe for decades. Benefit from this experience:

Prime Tower Zurich | Switzerland

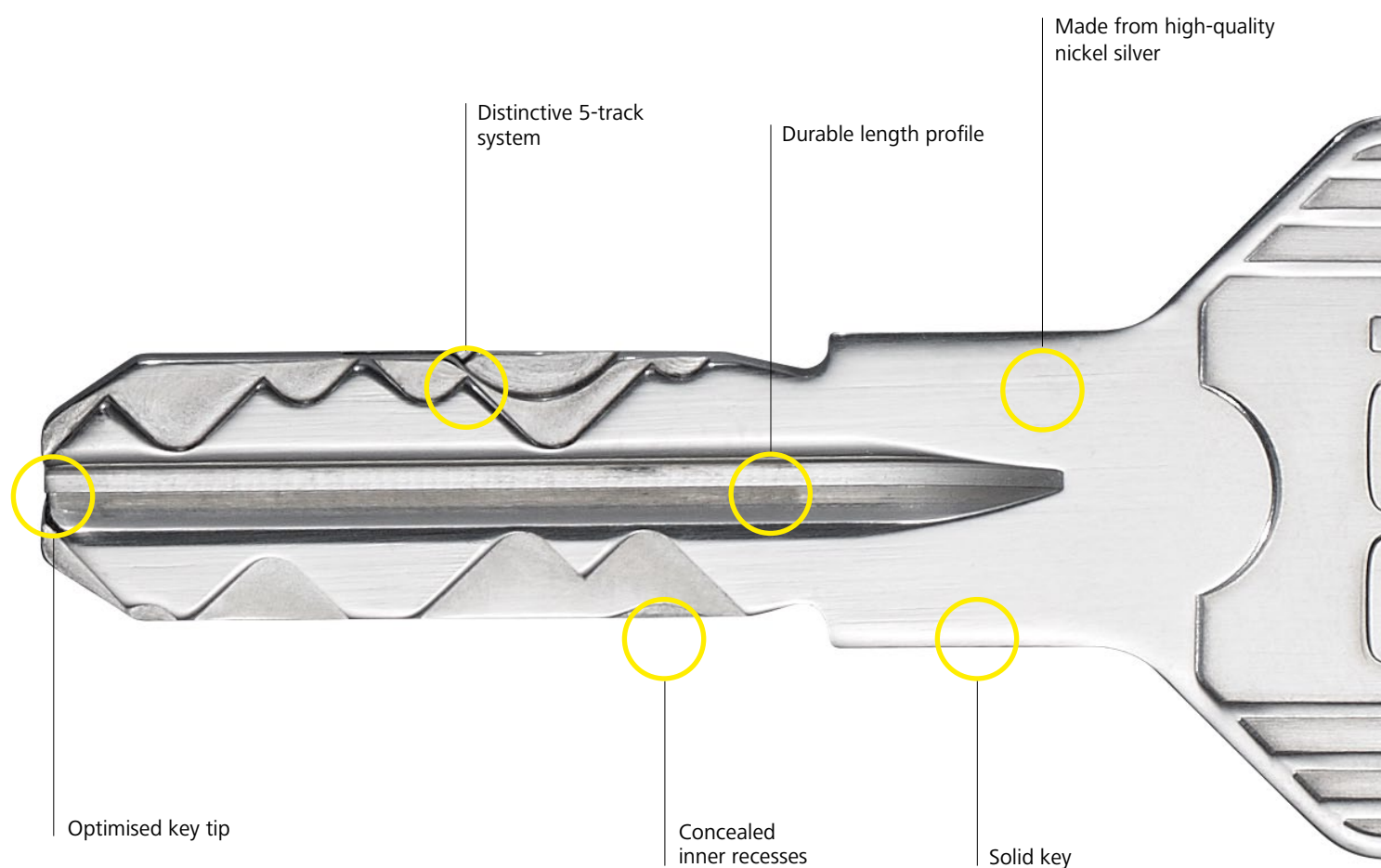
The huge office building with a usage area of 40,000 m² and up to 2,000 workstations was equipped with the ICS system from EVVA. Around 2,000 ICS cylinders were installed in total.

Auditorio y Palacio de Congresos de Burgos | Spain

A total of 438 ICS cylinders were installed in the events building spanning 31,050 m² designed for holding conventions, concerts and theatre productions, with the largest room boasting 1,550 seats.

More references are available at www.evva.com

ICS key | reliable technology in timeless design



One key | many features

Being reversible, the ICS key offers two advantages at once. Inserting the ICS key into the cylinder is particularly easy due to the key's specially developed tip. The key thickness of 3 mm and the high-quality nickel silver alloy make the key durable and resistant to wear. The ICS key is also worldwide unique. The concealed, inner recesses make unauthorised duplication of keys practically impossible.

The original ICS key is produced exclusively by EVVA and is only available at EVVA partners.

Optimal grip and ergonomics



Ergonomic design key neck

ICS keys are optionally available with the new, ergonomic and high-quality design key neck. The attractive design is available in black, red and blue.

Benefits

- › Easier to distinguish the keys
- › Simple management of locking systems thanks to colour allocation
- › High quality for improved haptics



EVVA | Unique security

EVVA is constantly investing in research and is always working to develop new key technologies. This means that EVVA can always meet the increasing requirements for security and organisation.

The unique technology of ICS offers three different levels of protection against key copying, illegal key copies and key manipulations:

Increased security with the EVVA security card

Copy keys, additional cylinders and lock charts are only available at an authorised EVVA partner and only with relevant proof of legitimacy, i.e. the EVVA security card.

Legal protection through long patent protection

Commercial manufacturing of EVVA keys takes place exclusively at EVVA and EVVA partners. All EVVA products are only available at authorised EVVA partners.

EVVA prevents ICS keys from being produced without authorisation by adding patented features on the key. EVVA can take legal action if it is discovered that a key copy has been commercially produced without authorisation. The patent protection periods for the ICS is valid until 2028.

High technical protection with the necessary specialist knowledge

The technical features of an ICS key require extensive specialist knowledge and specialist machinery for production. This makes it extremely difficult to produce illegal copy keys.

ICS cylinder | innovative technology down to the smallest detail



Modular version (SYMO)

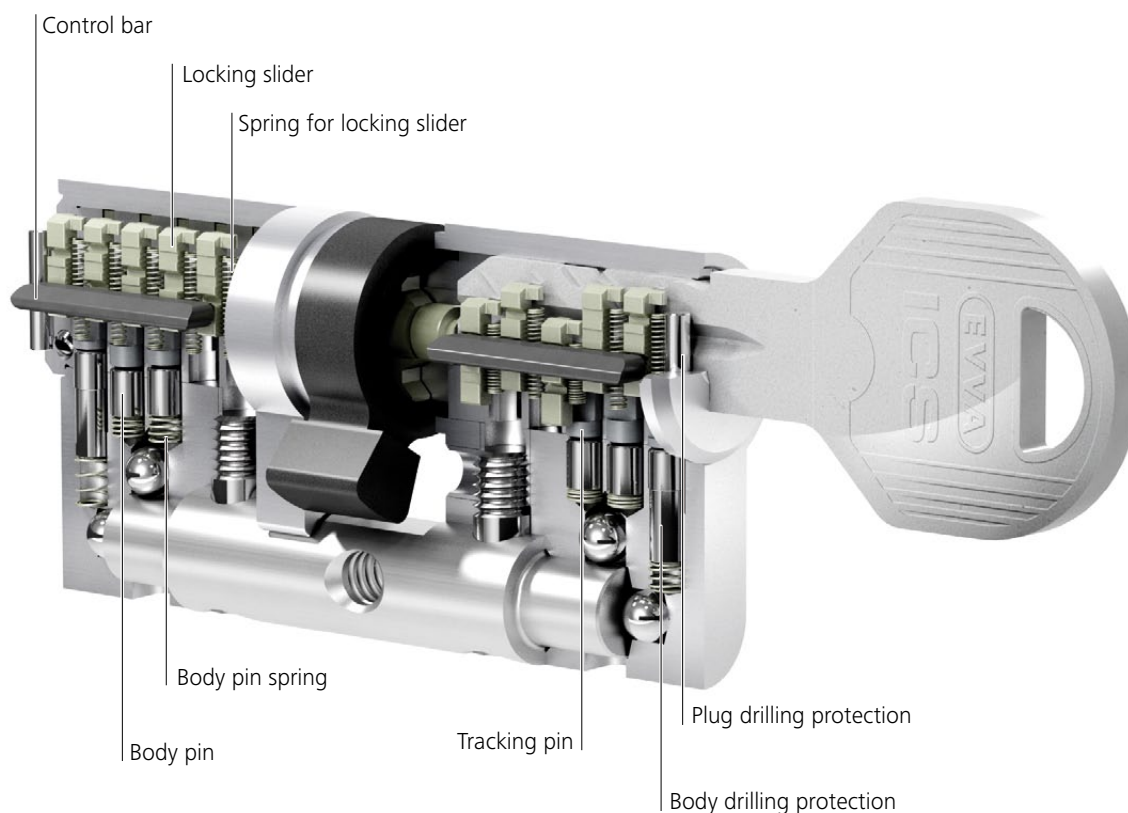
One cylinder | many details

ICS offers different locking technologies for high protection: the time-tested curve system, the durable length profile and distinctive track system with internal recesses.

The scanning takes place in 5 tracks through 13 spring-loaded locking elements and the durable length profile. With an additional finish, the ICS locking elements guarantee the highest wear resistance in daily use.

The ICS cylinder is produced in modular design (SYMO) and can therefore be adapted to the relevant door requirements directly on-site. The ICS cylinder can also be customized with specific functions on-site (e.g. external key override).

This saves time and money!



In any situation | more protection

The innovative technology of the ICS cylinder offers long lasting protection against illegal opening methods:

Picking and scanning protection

Split and non-split scanning elements prevent scanning positions from being detected. The ICS cylinder is practically impossible to open with lock picking tools. The hidden gates on the locking pins prevent the ICS cylinder from being scanned.

Drilling protection

The chrome-vanadium elements in the ICS cylinder protect it from illegal opening methods. Additional security elements offer high attack resistance.

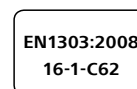
Plug pulling protection

The chrome-vanadium pins in the cylinder plug combined with the modular design (SYMO) offer high plug pulling protection.

ICS cylinder options

Different options and requirements are often called for within a locking system.

The ICS options make it possible: External key override function; SOS function; vario function; dust protection; free-wheel function and much more.



www.evva.com

┌

┐

┌ Handed over by

┐